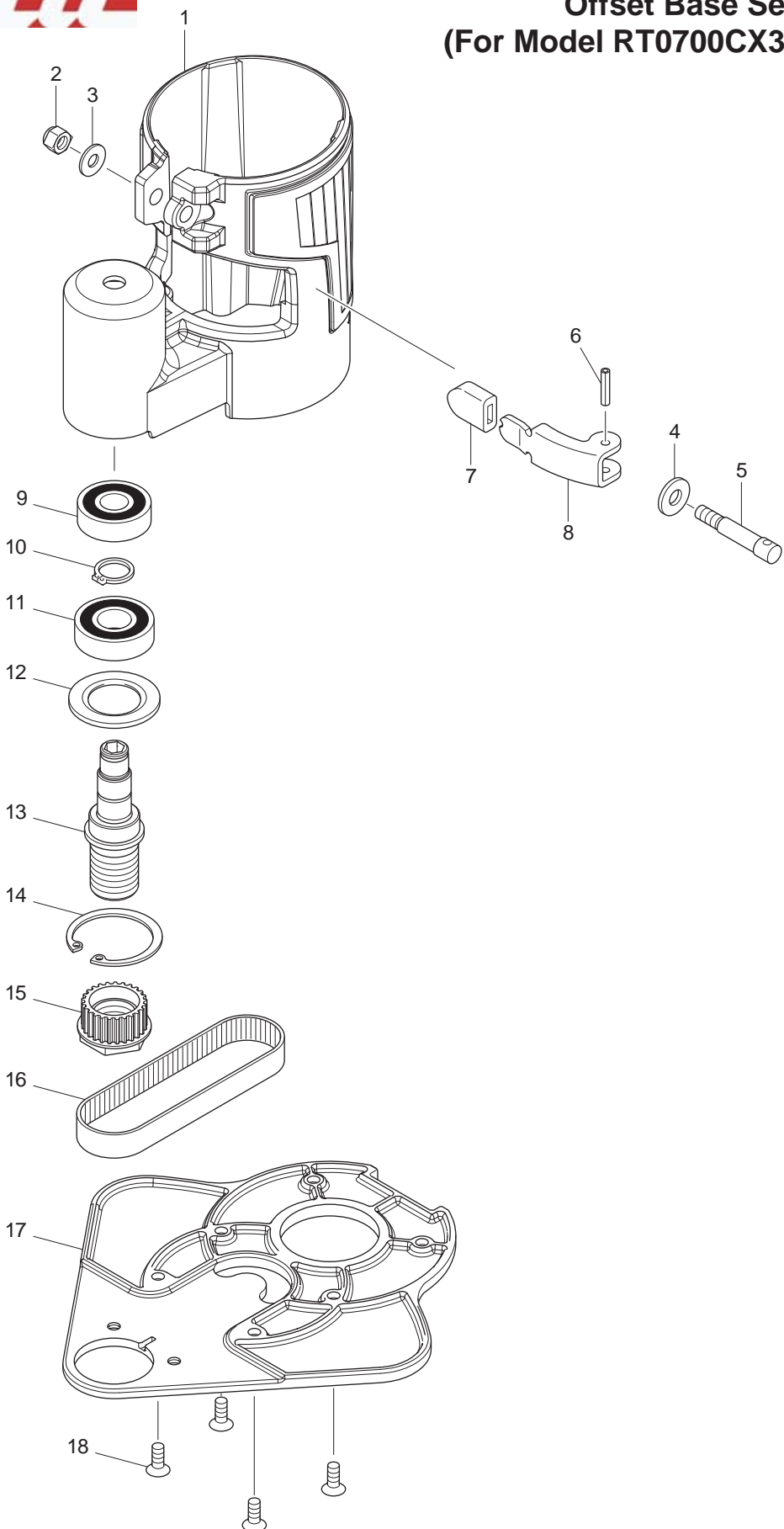




02 - 2012
196093-4
Offset Base Set
(For Model RT0700CX3)



Item No.	Type Sub	Part No.	Description	Qty	Unit
1		140737-8	OFFSET BASE COMPLETE	1	PC.
2		252103-8	HEX. LOCK NUT M5-8	1	PC.
3		941101-4	FLAT WASHER 5	1	PC.
4		267214-6	FLAT WASHER 6	1	PC.
5		324243-3	SUPPORT PIN	1	PC.
6		951060-4	SPRING PIN 3-14	1	PC.
7		421818-0	RUBBER CAP	1	PC.
8		345229-4	LOCK LEVER	1	PC.
9		210059-1	BALL BEARING 6000DDW	1	PC.
10		961052-5	RETAINING RING S-12	1	PC.
11		211142-7	BALL BEARING 6001LLB	1	PC.
12		261116-8	NYLON WASHER 18	1	PC.
13		326015-2	SPINDLE	1	PC.
14		962151-6	RETAINING RING R-32	1	PC.
15		222170-7	PULLEY 10.5-23.1	1	PC.
16		225093-8	SYNCHRO BELT 10-207	1	PC.
17		413148-3	OFFSET BASE PLATE	1	PC.
18		912112-6	COUNTERSUNK HEAD SCREW M4X10	4	PC.
-		222171-5	PULLEY 12-23.1	1	PC.
-		318685-1	GRIP ATTACHMENT	1	PC.
-		912112-6	COUNTERSUNK HEAD SCREW M4X10	2	PC.